

GAS SUPPLY COMPONENTS FOR LABORATORY FURNITURE & FUME HOODS

Staff safety and laboratory efficiency are critical points your gas supply components must fulfill. The GCE druvaPUR point of use regulator and valve range is designed to meet the highest standards & quality. The range is also fully flexible to meet your design needs. That is why druvaPUR is a synonym for quality, user-friendliness, and customer service.



Gas supply components that
brighten your furniture!

GCE druva™

- Focus on Health, Safety, Staff, and Environment
- Maintain gas purity
- Endurance under safe user conditions
- Flexible in design – look & feel
- Gas Purity maximum 6.0

GCE DRUVA OFFERS FULL RANGE OF HIGH-QUALITY GAS SUPPLY COMPONENTS FOR LABORATORY FURNITURE & FUME HOODS



Fitting to each customer's needs GCE druvaPUR offers a broad range of high quality gas supply components, like Point Of Use (POU) regulators, valves and components. To fit each application, any type of furniture & fume hood connection is possible, from build-in to bench mounted and from hanging to wall-mounted.

To ensure GCE Druva meets its customer needs, all models can be adapted to what is required or desired. This can be the complete POU-layout, placement of gauge and actual design.

GCE druva works closely with its customers to ensure the solutions meet their needs!

LAB3100 SERIES IS THE TOP OF LINE RANGE WITH STATE OF THE ART HIGH-QUALITY POU-REGULATORS

Point-of-use regulators EMD 3100 - 6.0 Gas Purity

Single-stage

Brass, chrome-plated or stainless steel

Inlet pressure: 40 bar / 600 psi, 12 bar / 170 psi

Outlet pressure:

0.2 – 1.5 / 0.2 – 4 / 0.5 – 6 / 0.5 – 10.5 bar

3 – 22 / 3 – 60 / 7 – 87 / 7 – 150 psi

Analysis Version:

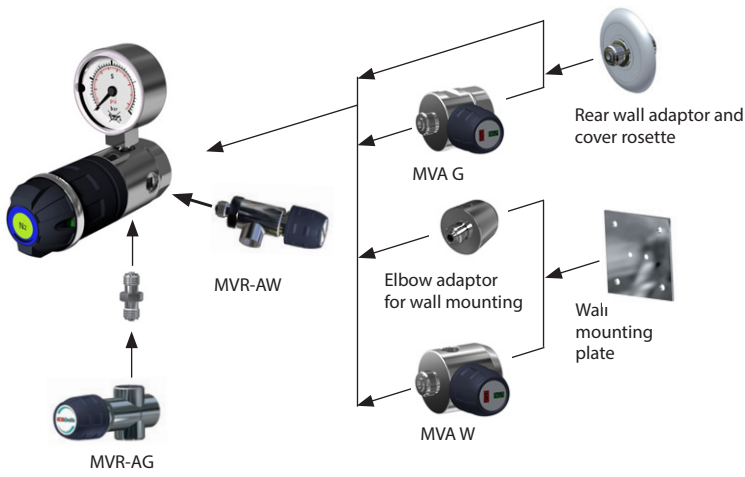
Inlet pressure: 10 bar / 145 psi

Outlet pressure: 2.2/4.4 bar – 33/66 psi

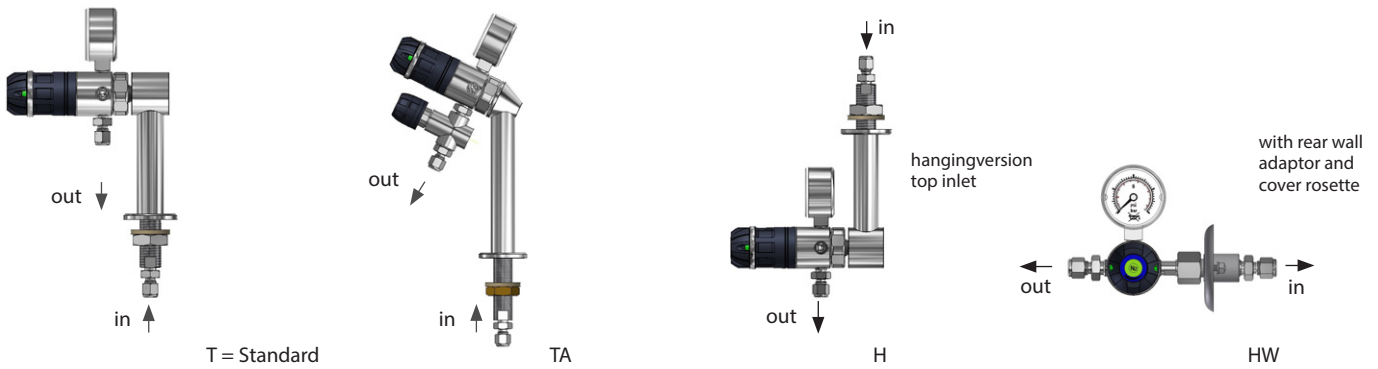
Integrated shutoff function



EMD 3100 COMBINATION POSSIBILITIES

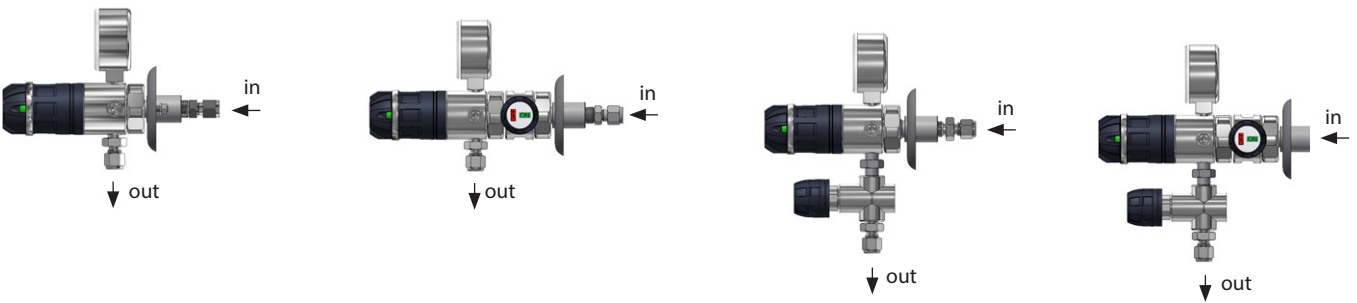


EMD 3100 AS BENCH MOUNT (VERSION T) AND HANGING VERSION (VERSION H)

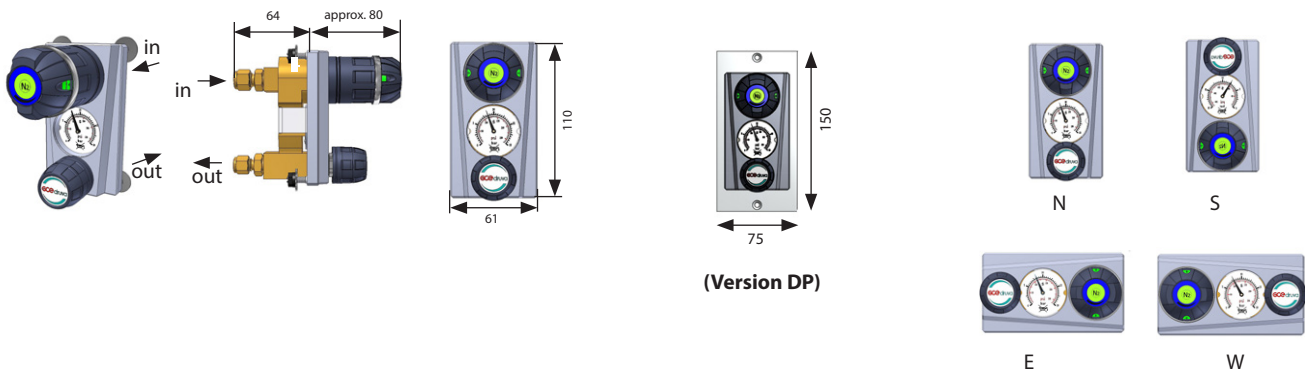


EMD 3100 WALL MOUNTED WITH REAR WALL ADAPTOR (VERSION W)

STANDARD: STRAIGHT INLET FITTING; AVAILABLE WITH ELBOW FITTING AS WELL



FUMEHOOD PRESSURE REGULATORS EMD-3100 – BUILT-IN



TOP OF LINE COMPONENTS ARE NOT ALWAYS NEEDED, WHEN THIS IS THE CASE, WE OFFER THE **ECO-LINE**

Lab 400SW

Single-stage

Brass or stainless steel

Inlet pressure: 40 bar / 600 psi

Outlet pressure:

0,2 - 1,5 / 0,2 - 4 / 0,5 - 6 / 0,5 - 10,5bar

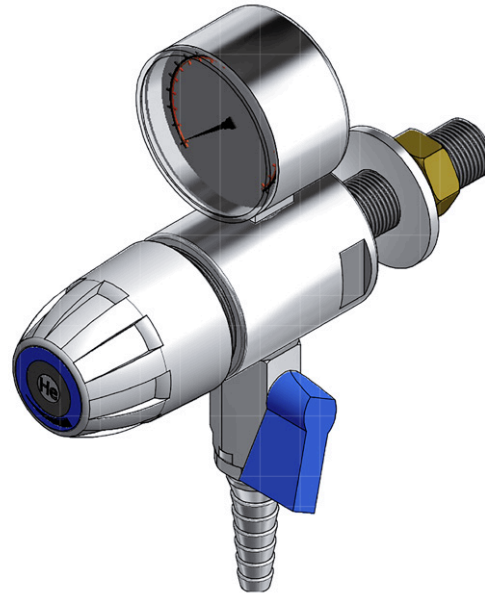
3 - 22 / 3 - 60 / 7 - 87 / 7 - 150 psi

Analysis version:

Inlet pressure: 10 bar / 145 psi

Outlet pressure: 2,2 / 4,4 bar - 33 / 66 psi

Gas Purity maximum 6.0



VALVE OVERVIEW

Diaphragm shut-off valve

MVA 400 G / 3100 G

Model: Straight

Material: Brass chrome-plated / Stainless steel

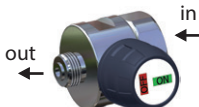
Inlet pressure: 40 bar / 600 psi

Nominal width: DN5 – Kv-Value: 0.2

Inlet/Outlet: G3/8" f - G3/8" m



MVA 400 G



MVA 3100 G

Diaphragm shut-off valve

MVA 400 W / 3100 W

Model: Elbow design

Material: Brass chrome-plated / Stainless steel

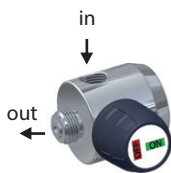
Inlet pressure: 40 bar / 600 psi

Nominal width: DN5 – Kv-Value: 0.25

Inlet/Outlet: G1/4" f - G3/8" m



MVA 400 W



MVA 3100 W

Diaphragm regulating valve

MVR-A 400 W / 3100 W

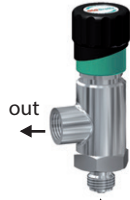
Model: Elbow design

Material: Brass chrome-plated / Stainless steel

Inlet pressure: 40 bar / 600 psi

Nominal width: DN2 – Kv-Value: 0.02

Inlet - outlet: G1/4" m - G1/4" f



MVR-A 400 W



MVR-A 3100 W

Diaphragm regulating valve

MVR-A 400 G / 3100 G

Model: Straight

Material: Brass chrome-plated / Stainless steel

Inlet pressure: 40 bar / 600 psi

Nominal width: DN2 – Kv-Value: 0.02

Inlet - outlet: G1/4" f - G1/4" f



MVR-A 400 G



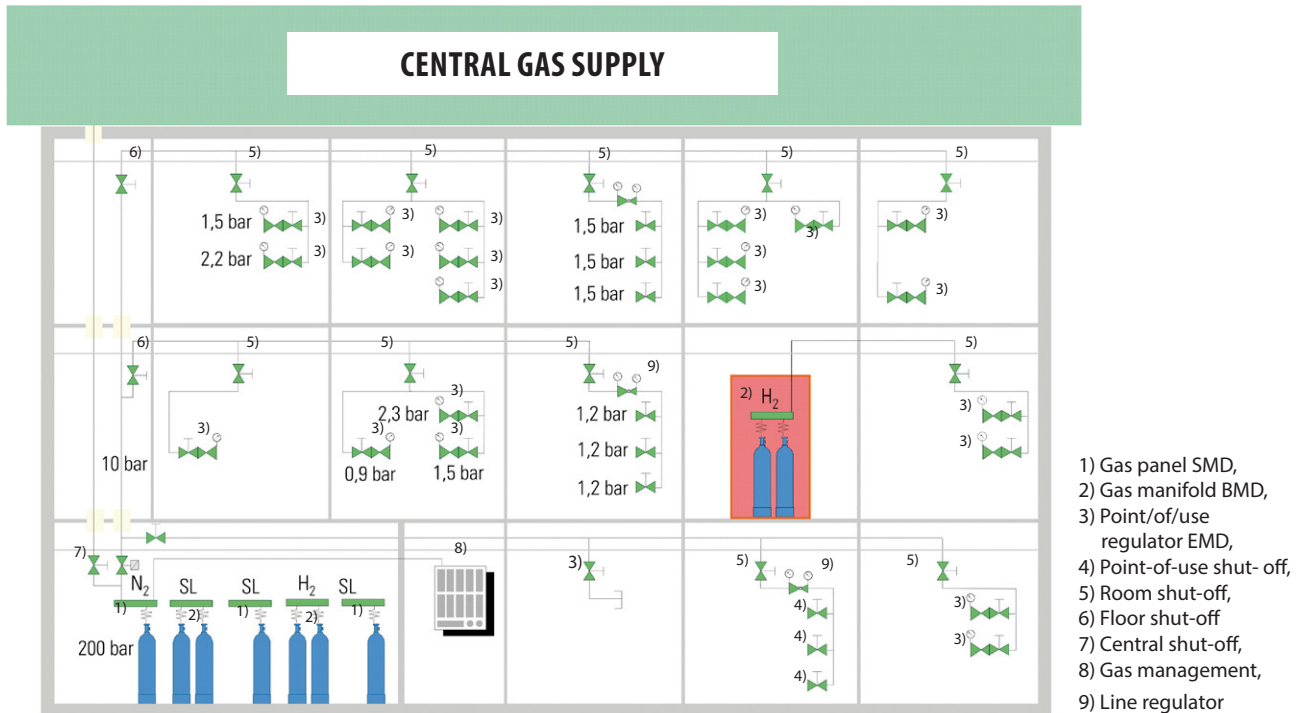
MVR-A 3100 G



Choosing the right valve is just as important as choosing the right regulator... in case of doubt: Ask!

GCE DRUVA ALSO OFFERS A FULL RANGE OF CENTRAL GAS CONTROL SOLUTIONS

Proper handling of expensive / toxic / flammable high purity gases requires the highest quality of control equipment. GCE druva supplies a wide range of components to handle and control specialty gases. Based on many years of experience, GCE druva is specialized in first and second stage pressure gas supply, tubing & tube layout, cylinder stock rooms, and monitoring devices.



WHAT WE OFFER:

- Focus on quality, durability, ease of use & safety
- High end materials 316L, Hastelloy, Elgiloy
- Specially cleaned and assembled pressure gauges (ECD quality)
- Single source supply–concept, system design, products, installation, after sales market
- Highly experienced application specialists for best of class support
- Complete & fully certified product portfolio
- For inert, reactive, flammable, oxidizing gases and gas mixtures, purity max 6.0
- German design & European manufacture

INTEGRITY SECURITY
INNOVATION
PROACTIVITY

GCE Group is one of the world's leading companies in the field of gas control equipment. The headquarters are in Malmö, Sweden, and the two major supply units are located in Europe and Asia.

The company operates 18 subsidiaries around the world and employs more than 900 people. GCE Group includes four business areas – Cutting & Welding technologies, Valves, Healthcare and Druva. Today's product portfolio corresponds to a large variety of applications, from single pressure regulators and blowpipes for cutting and welding to sophisticated gas supply systems for medical and electronics industry applications.

It is our belief that when we:

- Focus on delivering best of class products & accessories;
- Focus on being there for our customers when you need technical or other support;
- Support you in local language when needed;
- Educate you on end-customer requirements and gas supply systems;
- Continue to improve ourselves to follow the continuously changing needs...

we can be a good partner for you!

For further details, please contact regulator@gcegroup.com

Phone: +49 (0)661 8393 - 0

Fax: +49 (0)661 8393 - 21

druva[®] PUR



druva[®] MED



druva[®] TEC



Gas Control Equipment

GCE world-wide: <http://www.gcegroup.com>