

LPLAVDJ | LPLAVDJ– DRUVA®PUR LINE REGULATOR

LINE REGULATOR | PURE LINE (BRASS CHROME PLATED) | 20 m³ SERIES | ABSOLUTE PRESSURE RANGE
DUAL STAGE | 6-PORT VERSION



This dual-stage line pressure regulator is used in gas supply systems for pure, inert, flammable, oxidising gases and gas mixtures up to gas purity 6.0. It is not usable for corrosive and / or toxic gases and their mixtures.

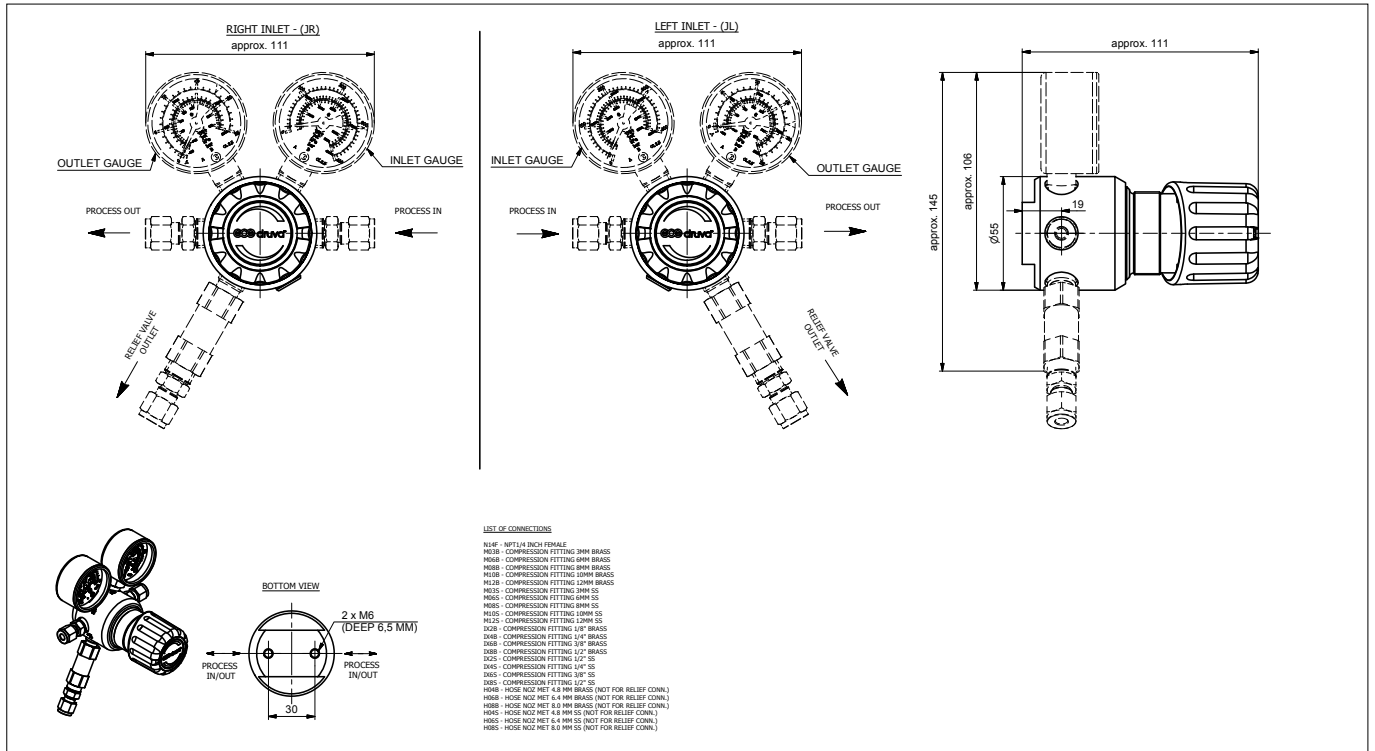


SPECIAL FEATURES:

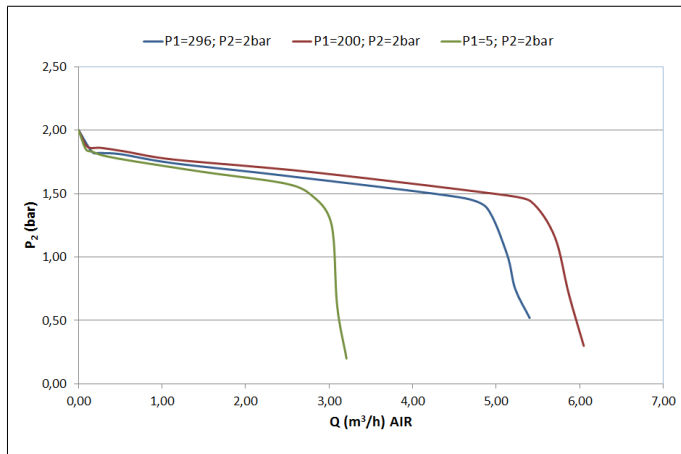
- > Hastelloy diaphragm tightening system to atmosphere
- > Compact design
- > Excellent pressure adjustment
- > Designed and approved regarding ISO 7291
- > Relief valve in delivery pressure side available
- > Electrostatic chargeability test
 - Fulfills requirements according to ISO 80079-36; IEC TS 60079-32-1 and German TRGS 727
 - Usable in EX- areas zones 1 and 2 for gases with explosion risk group I; IIA; IIB; IIC

TECHNICAL DATA	
Working temperature:	-20 °C to +60 °C
Inlet / outlet ports:	See technical drawing
Leakage rate seat:	<5x10 ⁻⁶ mbar l/s (Helium)
Leakage rate outside:	<1x10 ⁻⁹ mbar l/s (Helium)
Filter:	1x for inlet 1x for each outlet
Weight:	2,25 kg
Flow nominal:	3 m ³ /h
Material gas wetted parts:	
Regulator body:	Brass chrome plated
Regulator diaphragm:	Hastelloy
Regulator seat:	
First pressure stage	PCTFE
Second pressure stage	
LPLAVDJ-Version	FKM
LPLAEDJ-Version	EPDM
Relief valve seat:	
LPLAVDJ-Version	FKM
LPLAEDJ-Version	EPDM
Regulator poppet:	Brass
Pressure rates line regulator:	
Max. inlet pressure	300 bar
Delivery pressure	2 bar abs / 3 bar abs
Pressure gauges rates (pressure rates):	-1 bar till 1,5 bar (2 bar abs) / -1 till 5 bar (3 bar abs)
Contact gauges available – please contact us	
Cracking pressure relief valves:	1,5 bar (2 bar abs) / 3,1 bar (3 bar abs)
Test in production:	Pressure test with Helium of each item
	Seat leakage test with Helium of each item
	Helium leak test of each regulator against atmosphere
	Test of functionality of each item
Approvals during development:	Type test in accordance with ISO 7291
	Additional life cycle test
	Electrostatic chargeability test <ul style="list-style-type: none"> • Fulfill requirements according to ISO 80079-36; IEC TS 60079-32-1 and German TRGS 727 • Usable in EX-areas zones 1 and 2 for gases with explosion risk group I; IIA; IIB; IIC

TECHNICAL DRAWING:



FLOW CURVE:



ORDER CODE:

Example Line Regulator | PUR Linie | Brass Chrome Plated | Low Flow | Absolute Pressure | Dual Stage | 6-Port Version

LPLAVDJ LPLAEDJ	R	D1	AX	00	BT	N14F (1/4" NPT female)	N14F (1/4" NPT female)	00	0001
Porting	Inlet pressure	Outlet pressure	Inlet gauge	Outlet gauge	Inlet connection	Outlet connection	Safety device	Relief valve connection	
R Inlet right	D1 12 bar	AX 2 bar	00 Without 1/4" NPT female	00 Without 1/4" NPT female	possible connections	possible connections	00 Without 1/4" NPT female	0001 – if no safety device is chosen possible connection if safety device RV is chosen see technical drawing	
L Inlet left		BX 3 bar	01 Without (plugged)	01 Without (plugged)			01 Without (plugged)		
			BT Bourdon Tube gauge	BT Bourdon Tube gauge	RV Relief valve				
			I1 Inductiv contact gauge I1		see technical drawing	see technical drawing			
			R5 Reed contact gauge R5						

Order code (as described above) without special characters or spaces! Complete Order Code **LPLAVDJRDIAX00BTN14FN14F000001**

