

MSLH0SDS | MSLHESDS – DRUVA® PUR MANIFOLD

MANIFOLD | PURE LINE (STAINLESS STEEL) | 20 m³ SERIES | HIGH PRESSURE RANGE
SEMI-AUTOMATIC CHANGE OVER | DUAL STAGE | HIGH PRESSURE SHUT-OFF VALVE



This manifold is used in gas supply systems for pure, inert, flammable, oxidising, corrosive and / or toxic gases and their mixtures.



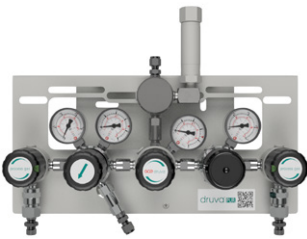
Type MSLH0SDS00
S0 HP Shut-off Valve
0 Without Specials

TECHNICAL SPECIFICATION:

- > Switching between two sources by semi-automatic change over system
- > Regulator and Valves – Hastelloy/Elgiloy diaphragm tightening system to atmosphere
- > Compact design
- > Excellent pressure adjustment
- > Valves - designed and approved in accordance with relevant sections of ISO 10297:2015
- > Regulator - designed and approved regarding ISO 7291
- > Relief valve in delivery pressure side
- > Manifold with process inlet shut-off valve
- > Available with shut-off valve at outlet, safety valve at outlet, check valve at inlet
- > Electrostatic chargeability test
 - Fulfills requirements according to ISO 80079-36, IEC TS 60079-32-1 and German TRGS 727
 - Usable in EX- areas zones 1 and 2 for gases with explosion risk group I, IIA, IIB, IIC

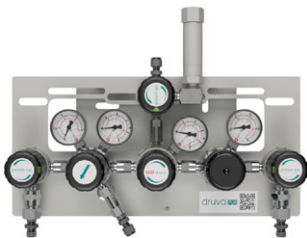
SPECIAL FEATURES OF MANIFOLD:

- > Splitted plates of manifold
 - Separated mounting of ground plate
 - Easy mounting of manifold to ground plate and fix with one screw only
- > Front plate cutout for in-field gauge replacement



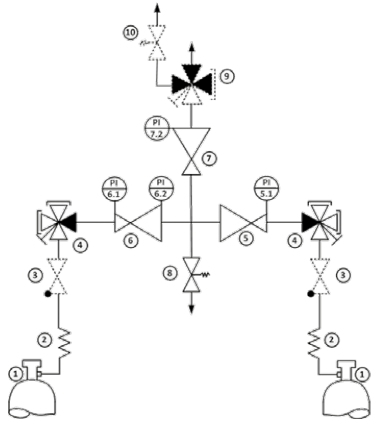
Type MSLH0SDS0U
S0 HP Shut-off Valve
U Specials
Check Valve & Safety Valve

TECHNICAL DATA – MANIFOLD	
Working temperature:	-20 °C to +60 °C
Inlet/ outlet ports:	see technical drawing
Leakage rate seat:	<5x10 ⁻⁶ mbar l/s (Helium)
Leakage rate outside:	<1x10 ⁻⁹ mbar l/s (Helium)
Weight:	max 8,23 kg
Flow nominal:	20 m ³ /h (N ₂) acc. to ISO 7291 at 20 bar outlet pressure and 41 bar inlet pressure
Pressure rates manifold:	
Max. inlet pressure:	300 bar
Delivery pressure:	2/ 3/ 6/ 10/ 14 bar



Type MSLH0SDSSU
SS HP Shut-off Valve & LP Shut-off Valve
U Specials
Check Valve & Safety Valve

TECHNICAL DATA – REGULATOR	
Filter:	1x for inlet 1x for each outlet
Material gas wetted parts:	
Regulator body:	Stainless Steel
Regulator diaphragm:	Hastelloy
Regulator seat:	PCTFE (1 st stage) PTFE (2 nd stage)
Relief valve seat:	
MSLH0SDS Version	FKM
MSLHESDS Version	EPDM
Regulator poppet:	Stainless Steel
Pressure gauges rates (pressure rates):	2,5 (2)/ 5 (3)/ 10 (6)/ 18 (10)/ 25 (14) bar
Contact gauges available – please contact us	
Cracking pressure relief valves:	3,1 (2)/ 4,6 (3)/ 9,2 (6)/ 15,4 (10)/ 21,6 (14) bar
	Pressure test with Helium of each item
	Seat leakage test with Helium of each item
Test in production:	Helium leak test of each regulator against atmosphere
	Test of functionality of each item



- 1 – Gas cylinder
- 2 – Coil / hose
- 3 – Check valve
- 4 – Shut-off valve (3xin, 1xout)
- 5 – Fix Pressure Regulator 1st stage
- 6 – Set Pressure Regulator 1st stage
- 7 – Set Pressure Regulator 2nd stage
- 8 – Relief valve
- 9 – Shut-off valve (1xin, 3xout)
- 10 – Safety valve

Options & specials are shown as dotted line

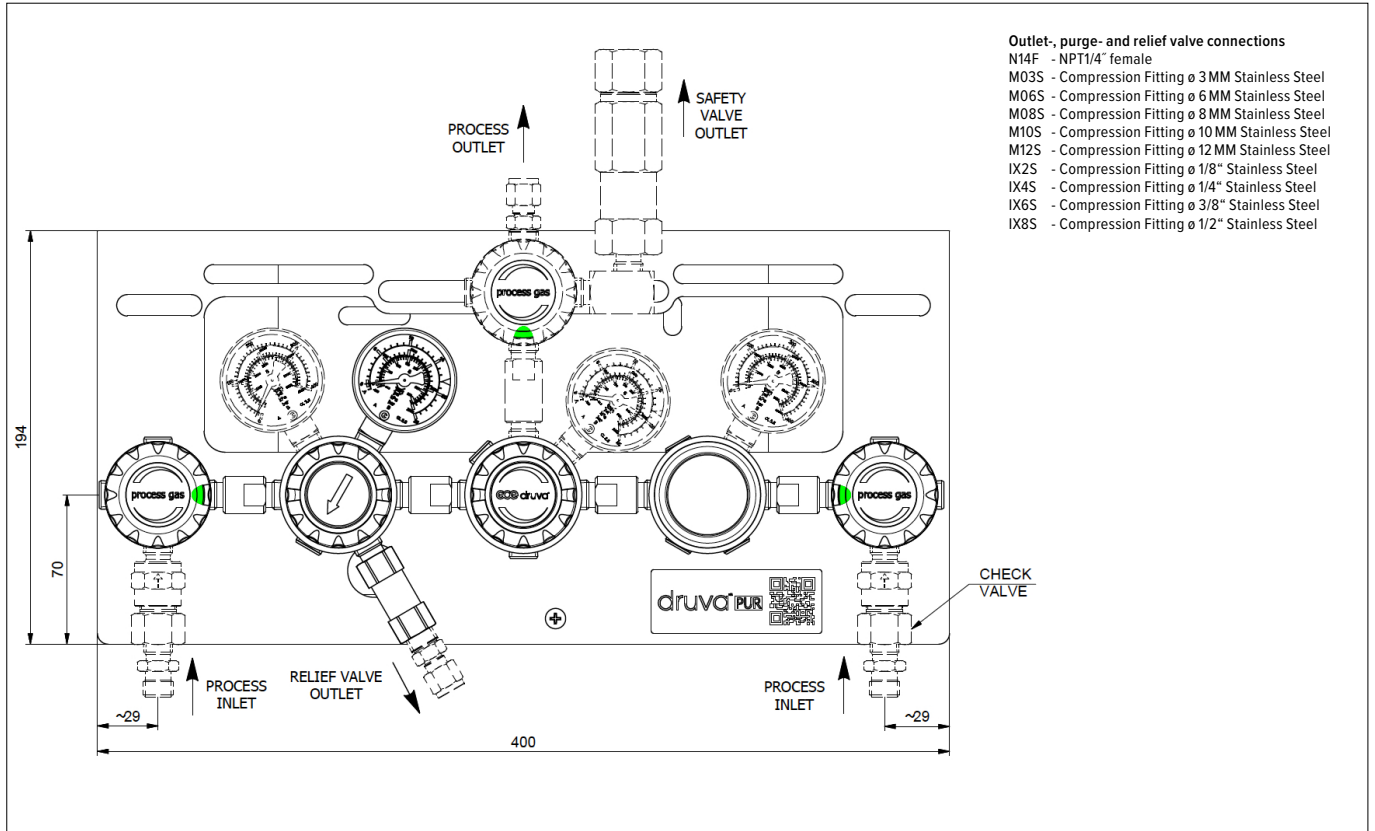
	Type test in accordance with ISO 7291
	Additional life cycle test
Approvals during development:	Electrostatic chargeability test
	<ul style="list-style-type: none"> • Fulfill requirements according ISO 80079-36, IEC TS 60079-32-1 and German TRGS 727 • Usable in EX-areas zones 1 and 2 for gases with explosion risk group I, IIA, IIB, IIC

TECHNICAL DATA – VALVES	
Max. working pressure:	300 bar
Kv-value:	0,25
Seat diameter:	5 mm
Leakage rate seat:	<5x10 ⁻⁶ mbar l/s (Helium)
Leakage rate outside:	<1x10 ⁻⁹ mbar l/s (Helium)
Filter:	1x for each inlet 1x for each outlet
Material gas wetted parts:	
Valve body:	Stainless Steel
Valve diaphragm:	4-Port: 1x Hastelloy, 1x Elgiloy 2-Port: 2x Elgiloy
Valve seat:	PCTFE
Valve poppet:	Stainless Steel
	Pressure test with Helium of each item
Test in production:	Seat leakage test with Helium of each item
	Helium leak test of each valve against atmosphere
	Test of functionality of each item
	Type test in accordance with relevant sections of ISO 10297:2015
	Electrostatic chargeability test
Approvals during development:	<ul style="list-style-type: none"> • Fulfill requirements according ISO 80079-36, IEC TS 60079-32-1 and German TRGS 727 • Usable in EX-areas zones 1 and 2 for gases with explosion risk group I, IIA, IIB, IIC

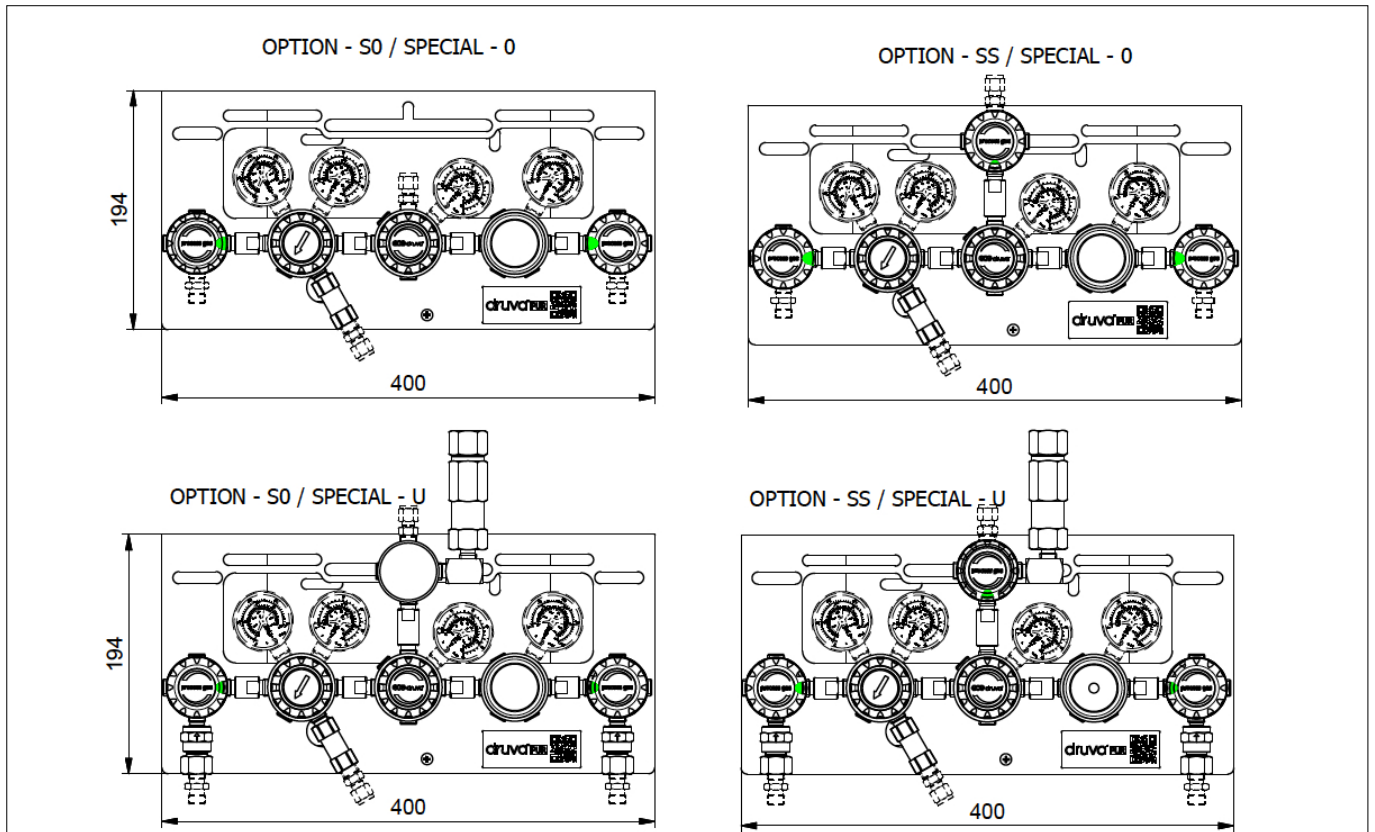
TECHNICAL DATA – PLATES	
Ground plate:	Stainless Steel (polished) Option to secure arrestor cable of hoses with hook on ground plate. Grounding bolt Cut outs on top and bottom allows installation
Dimensions ground plate: (Height x Width x Length)	194 x 30 x 250 mm
Front plate:	Stainless Steel (polished) Cut outs for replacement of gauges Free space for additional installer label (e.g. remark for next maintenance)
Dimensions front plate: (Height x Width x Length)	194 x 30 x 400 mm
Marking on panel:	Product range label QR-Code – link to online product configurator

TECHNICAL DATA – SAFETY VALVES (S)	
	Spring loaded according P.E.D. 2014/68/EU and AD2000 (A2)
Opening pressure:	3/ 4,5/ 9/ 15/ 21/ bar
Leakage rate:	< 5 x 10 ⁻⁶ mbar l/s (valve seat) at nominal pressure of receiver
Material:	Housing and metal parts made of Stainless Steel, pressure spring made of stainless steel
Seat and seal:	FKM
Outlet connection:	NPT ½" female

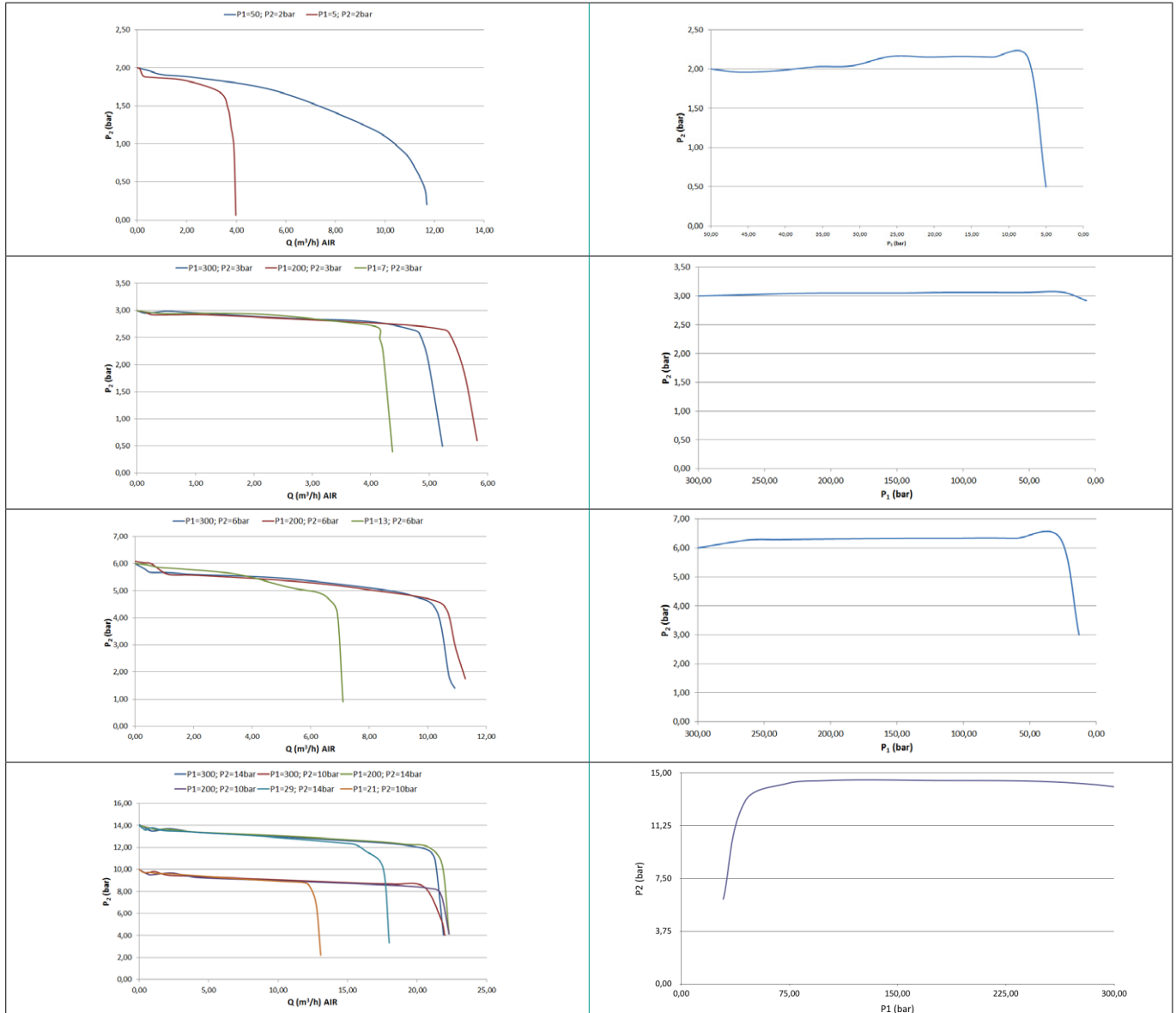
TECHNICAL DRAWING:



TECHNICAL DRAWING – VARIANTS:



FLOW CURVES:



ORDER CODE:

Example Manifold | PUR Linie | Stainless Steel | Low Flow | Dual Stage | Semi-automatc Change Over | High Pressure Shut-off Valve

MSLH0S	D	SS	C	FX	CX	BT	BT	N14F	N14F (1/4" NPT female)	N14F (1/4" NPT female)
MSLHES	Stages	Options	Specials	Inlet pressure (bar)	Outlet pressure (bar)	Inlet pressure gauge	Outlet pressure gauge	Process inlet connection	Process outlet connection	Purge & relief connection
	D Dual stage	S0 HP Shut-off valve	0 without	F4 60	AX 2	BT Bourdon Tube	BT Bourdon Tube	N14F 1/4" NPT female	possible connections see technical drawing	possible connections see technical drawing
		SS HP Shut-off valve LP Shut-off valve	C Check valve	FX 200	BX 3	I1 Inductiv contact gauge I1	I2 Inductiv contact gauge I2	M14M Metric 14x1.5 male		
			S Safety valve	GX 300	CX 6	R5 Reed contact gauge R5	R2 Reed contact gauge R2			
			U Check valve + safety valve		D2 10		I1 Inductiv contact gauge I1			
					DX 14					

Order code (as described above) without special characters or spaces! Complete Order Code **MSLH0SDSSCFXCXBTBTN14FN14FN14F**



Link to online product configurator