

**DRUVA® TEC MANIFOLD – MTMH0XSS | MTMHEXSS | MTMHXSXSS**  
 MANIFOLD | TEC LINE (BRASS) | 100 m³ SERIES | HIGH PRESSURE VERSION | 1 INLET | SINGLE STAGE |  
 DIAPHRAGM SHUT-OFF VALVE AT INLET



- HO VERSION – HIGH PRESSURE REGULATOR WITH FKM-SEAL
- HE VERSION – HIGH PRESSURE REGULATOR WITH EPDM-SEAL
- HS VERSION – HIGH PRESSURE REGULATOR WITH SST VALVE AND EPDM-SEAL (ONLY FOR MISON)

Manifolds for use in supply systems for industrial, inert, flammable, oxidizing gases and gas mixtures.  
 Not suitable for Acetylene, corrosive and/or toxic gases and their mixtures.



- Type:** MTMHxXSS00
- Option S0**
- Diaphragm shut-off valve at inlet
- Special 0**
- no special

**SPECIAL FEATURES**

- > Metallic sealing of the shut-off valves and pressure regulator against atmosphere by Elgiloy/Hastelloy diaphragms.
- > No increase in outlet pressure with decreasing inlet pressure due to the use of a pressure reducer with inlet pressure compensation
- > Very compact design
- > Easy installation due to splitted plates for the manifold

**TECHNICAL DATA – MANIFOLD**

<b>Working temperature:</b>	-40 °C to +60 °C
<b>Inlet pressure range:</b>	60   200   300 bar
<b>Outlet pressure range:</b>	10   20   40   100 bar (adjustable)
<b>Nominal flow:</b>	100 m³/h (N₂) according to ISO 7291 at 20 bar outlet pressure and 41 bar inlet pressure
<b>Gewicht</b>	6,14 (Weight refers to the basic version of the manifold)
<b>Inlet - &amp; outlet connection:</b>	see ordering information
<b>Leakage rate seat:</b>	max. 5 x 10 <sup>-6</sup> mbar l/s (Helium)
<b>Leakage rate outside:</b>	max. 5 x 10 <sup>-6</sup> mbar l/s (Helium)
<b>Pressure gauges rates (in brackets- pressure rates):</b>	18 (10)   40 (20)   65 (40)   80 (60)   160 (100)   315 (200) 400 (300) bar
<b>Cracking pressure relief valves (in brackets – Outlet pressure rates):</b>	15 (10)   30 (20)   60 (40)   140 (100) bar

**TECHNICAL DATA – REGULATOR**

LTMH0SJ | LTMHESJ  
 see separate data sheet

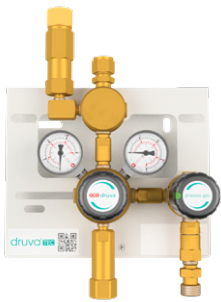
**TECHNICAL DATA – SHUT- OFF VALVES**  
 VTMDSMIR – 4 PORT (3X INLET – 1X OUTLET)  
 VTMDSMFR –4 PORT (1X INLET – 3X OUTLET)  
 see separate data sheets

**TECHNICAL DATA – MOUNTING PLATES MANIFOLD**

<b>Ground plate:</b>	Stainless Steel (polished) Option to secure arrestor cable of hoses with hook on ground plate. Grounding bolt Cut outs on top and bottom allows installation
<b>Dimensions ground plate:</b> (Height x Width x Length)	194 x 30 x 230 mm
<b>Front plate:</b>	Stainless Steel (polished) Cut outs for replacement of gauges Free space for additional installer label (e.g. remark for next maintenance)
<b>Dimensions front plate:</b> (Height x Width x Length)	194 x 30 x 230 mm
<b>Marking on panel:</b>	Product range label QR-Code – Link to the product overview on the website and from there the operating instructions (IFU) can be accessed

**TECHNICAL DATA – SAFETY VALVE**

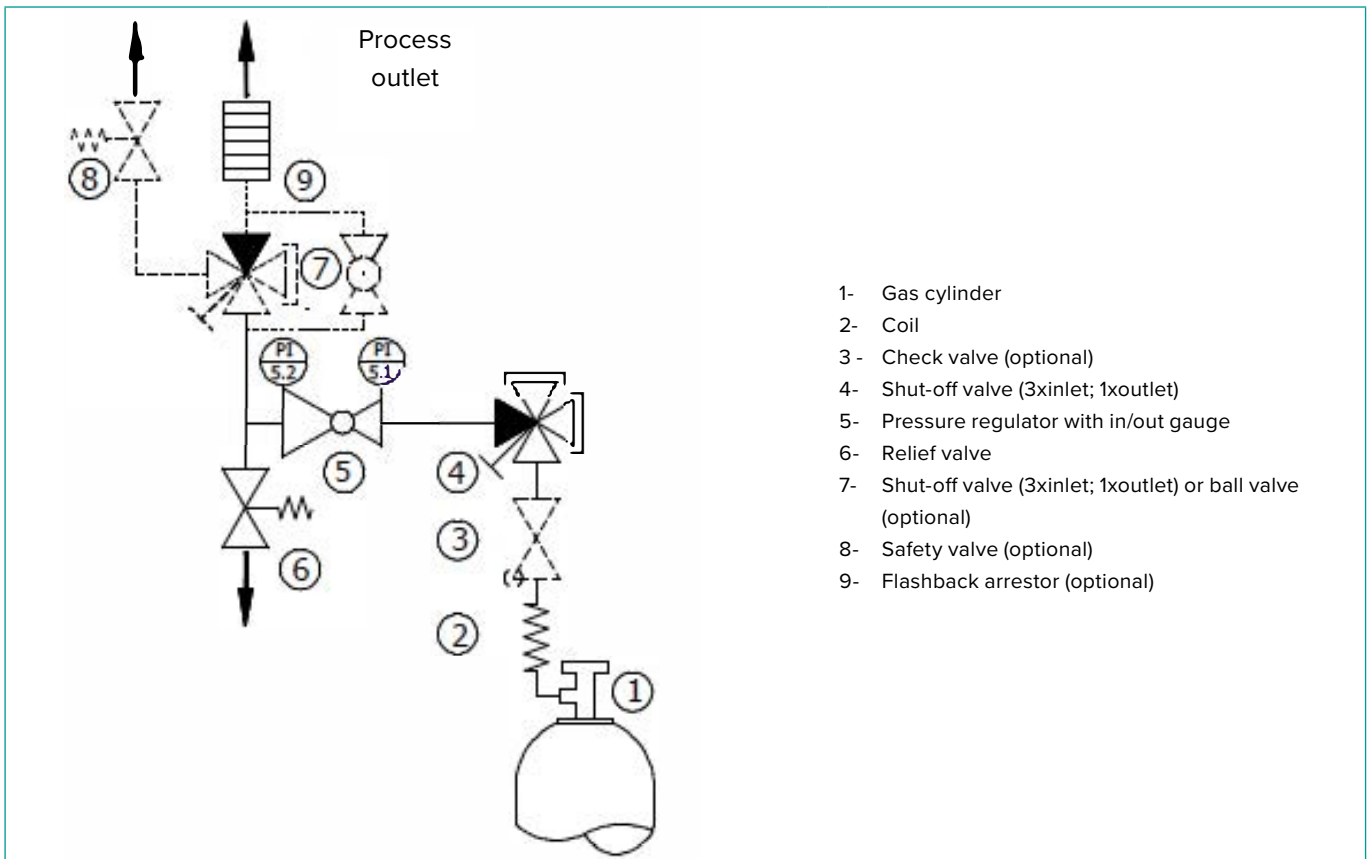
	Spring loaded according P.E.D. 2014/68/EU and AD2000 (A2)
<b>Opening pressure:</b>	15   30   60 bar
<b>Material:</b>	Housing and metallic parts made of brass, pressure spring made of alloy steel
<b>Seat and seal:</b>	FKM / EPDM



- Type:** MTMHxXSS0U
- Option S0**
- Diaphragm shut-off valve at inlet
- Special U**
- Check valve at inlet
  - Safety valve at outlet

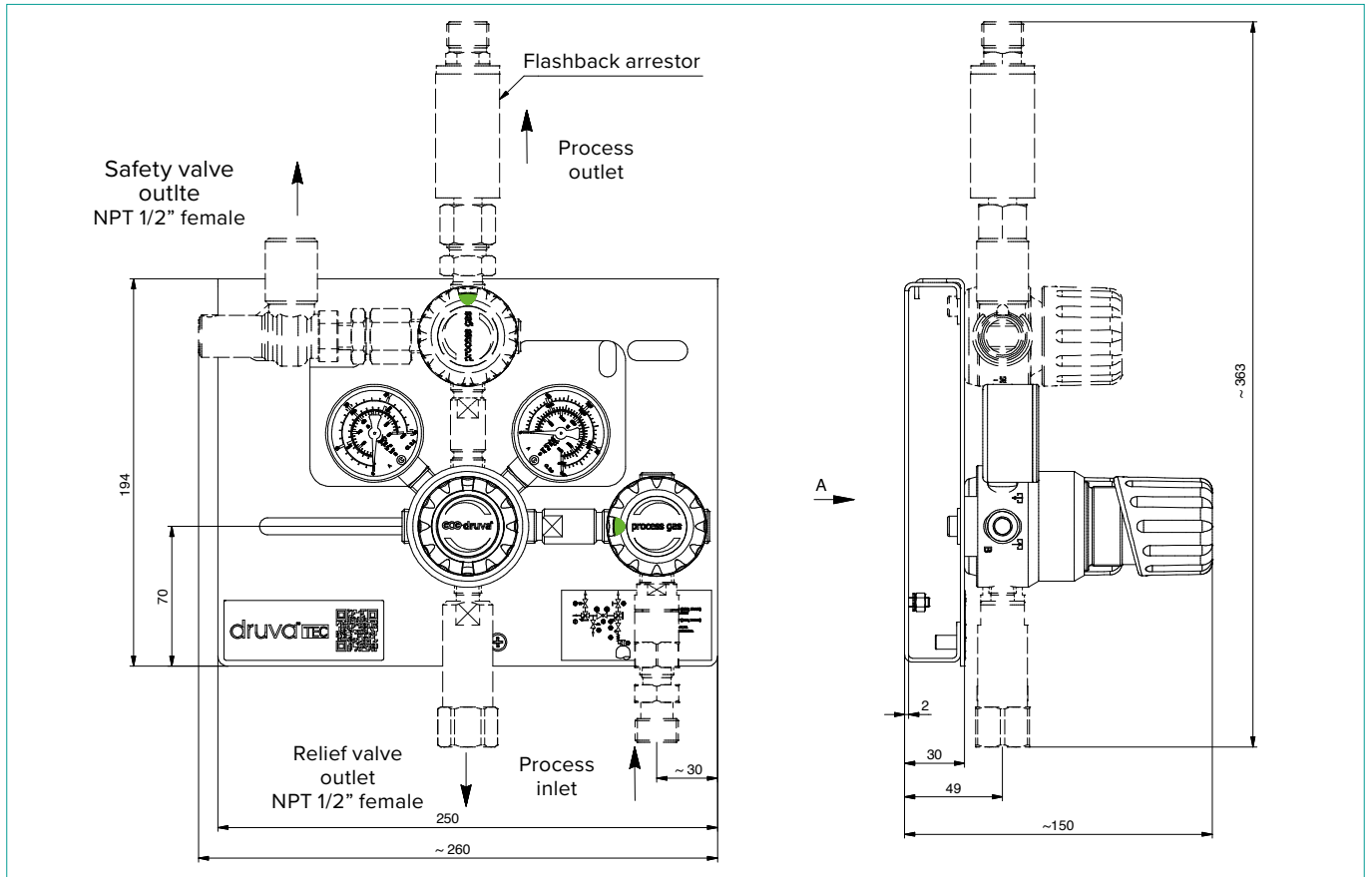
TECHNICAL DATA – BALL VALVE UP TO 20 BAR	
Max. working pressure:	20 bar
Material gas wetted parts:	
Body	Brass nickel plated
Ball	Brass hard chrome plated
Ball seal	PTFE
Gearshift seal	FKM / EPDM
Nominal width (free passage):	13 mm
TECHNICAL DATA – BALL VALVE UP TO 40 BAR – NOT SUITABLE FOR OXYGEN	
Max. working pressure:	40 bar
Material gas wetted parts:	
Body	Stainless Steel
Ball	Stainless Steel
Ball seal	PTFE
Gearshift seal	PTFE
Nominal width (free passage):	15 mm
TECHNICAL DATA – CHECK VALVE	
Max. Working pressure:	300 bar
Pressure loss at inlet pressure 41 bar and flow rate 100m <sup>3</sup> /h:	3,8 bar
Material gas wetted parts:	
Valve body	Brass
Filter	Sinter bronze SIKA-B
Valve seat	Silicon nitride ceramic (Si <sub>3</sub> N <sub>4</sub> )
Spring	Stainless Steel 316 L

TECHNICAL DRAWING – FLOW SCHEMATIC

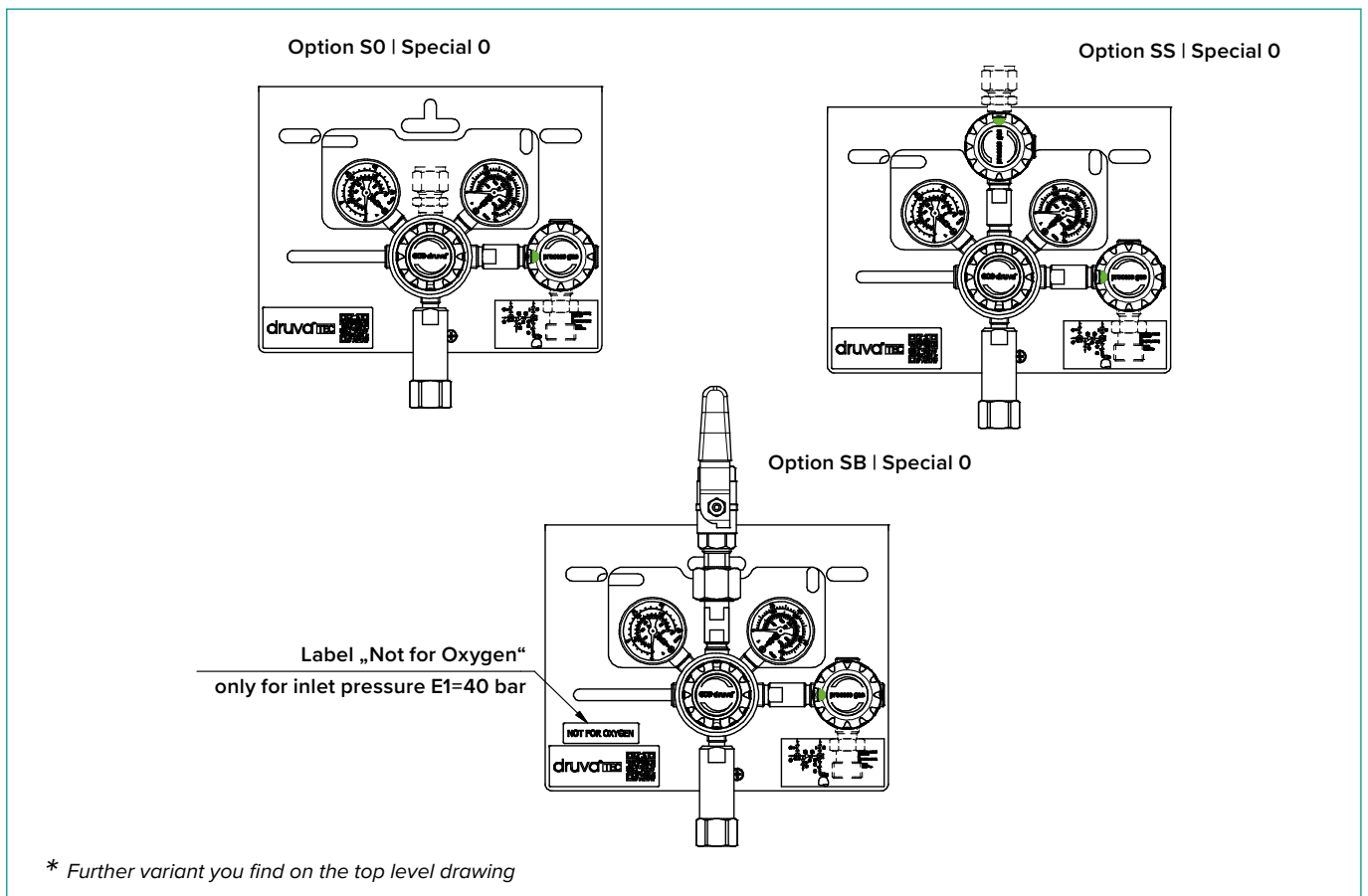


FOR FLOW CURVES PLEASE REFER TO – Data-FlowCurves-EN

TECHNICAL DRAWING – DIMENSIONS



TECHNICAL DRAWING – STANDARD VARIANTS \*



ORDERING INFORMATION – MTMH0XSS | MTMH6XSS | MTMH5XSS

Example for a manifold | TEC Line | Brass | Mid Flow (100m³) | Single Stage | Diaphragm shut-off valve at inlet

MTMH0X MTMH6X MTMH5X	S	S0	C	FX	EZ	BT	BT	N14F	N38F 3/8" NPT female	0001
Stages	Options	Specials	Inlet pressure (bar)	Outlet pressure (bar)	Inlet pressure gauge	Outlet pressure gauge	Process inlet connection	Process outlet connection	Purge connection	
S single stage	SO HP shut-off valve	O without	F4 60	D2 10	BT Bourdon Tube Gauge	BT Bourdon Tube Gauge	N14F 1/4" NPT female	Further connections can be found in the table below	0001 without (plugged)	
	SS HP shut-off valve LP shut-off valve	C Check valve	FX 200	EZ 20	I1 Inductive contact gauge I1	I2 Inductive contact gauge I2	N38F 3/8" NPT female			
	SB HP no valve LP Ball valve	F Safety Device Flammables	GX 300	E1* 40	R5 Reed contact gauge R5	R2 Reed contact gauge R2	E2MR G3/8" male EN560 right			
		G Check Valve & Safety Device Flammables		F2** 100		I1 Inductive contact gauge I1	W2ML Whitworth 21.8x1/14" male left			
		H Check Valve & Safety Valve & Safety Device Flammables				R5 Reed contact gauge R5	W2MR Whitworth 21.8x1/14" male right			
		N Safety Device Oxy/Air					W3ML Whitworth 30x2 male left			
		P Check Valve & Safety Device Oxy/Air					W3MR Whitworth 30x2 male right			
		Q Check Valve & Safety Valve & Safety Device Oxy/Air								
		S Safety valve								
		U Check valve & safety valve								
		Y Safety Device Flammables & Safety Valve								
		Z Safety Device Oxy/Air & Safety Valve								

HP= High pressure | LP= Low pressure

\* Not available in combination with option bal valve at outlet for Oxygen | \*\* Not available in combination with option bal valve at outlet

Order code (as described above) without special characters or spaces! Complete Order Code: **MTMH0XSS0CFXEZBTBTN14FN38F0001**

Process outlet connection

- N38F - NPT 3/8 inch female
- G12F - G 1/2 inch female
- E3MR - G1/2" male EN560 right
- E3ML - G1/2" male EN560 left
- E5MR - G3/4" male EN560 right
- M12B - Compression fitting 12 mm Brass
- M15B - Compression fitting 15 mm Brass
- M18B - Compression fitting 18 mm Brass
- M12S - Compression fitting 12 mm Stainless Steel
- M15S - Compression fitting 15 mm Stainless Steel

- M18S - Compression fitting 18 mm Stainless Steel
- M25S - Compression fitting 25 mm Stainless Steel
- IX8B - Compression fitting 1/2 inch Brass
- I10B - Compression fitting 5/8 inch Brass
- I12B - Compression fitting 3/4 inch Brass
- I14B - Compression fitting 7/8 inch Brass
- IX8S - Compression fitting 1/2 inch Stainless Steel
- I12S - Compression fitting 3/4 inch Stainless Steel
- I16S - Compression fitting 1 inch Stainless Steel
- DM21 - Tube 21,3 mm

Availability of brass fittings depending on pressure and size.

Pay attention to the maximum approved pressure of your pipework.

